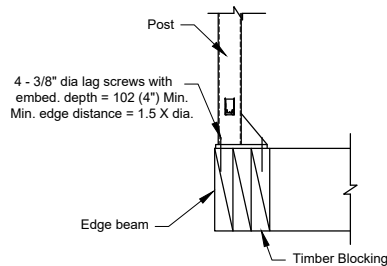
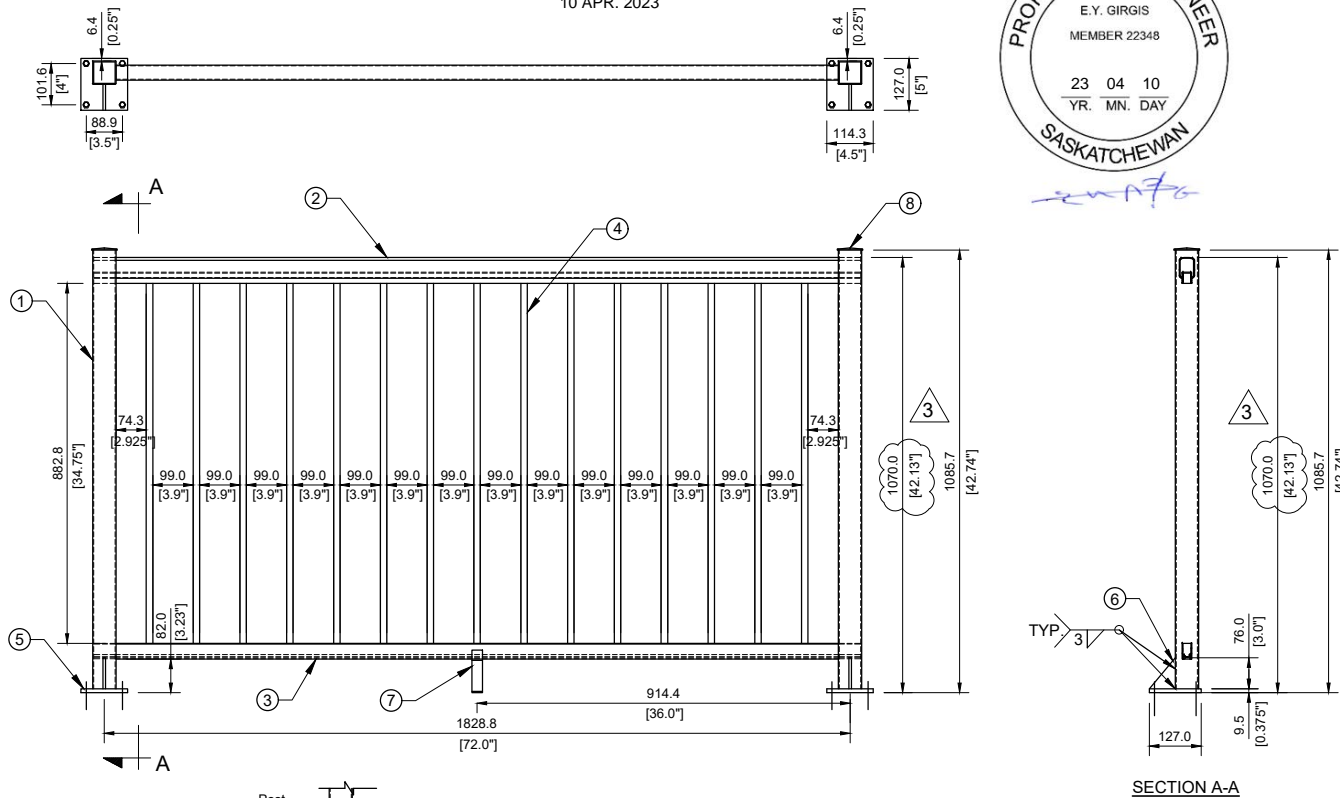
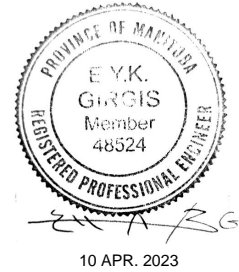
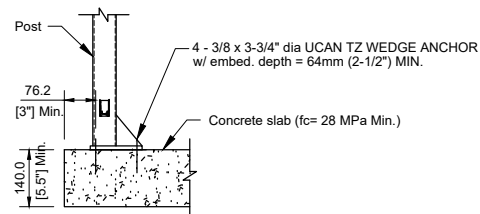




MARK	DESCRIPTION	PROFILE	MATERIAL	LENGTH	WEIGHT (kg)	QTY	TOTAL WT.
1	Post	HSS 57.15X57.15X2.5	6061 - T6	1076.2	2.05	2	4.10
2	Top rail	-	6061 - T6	1880	1.92	1	1.92
3	Bottom rail	-	6061 - T6	1880	0.85	1	0.85
4	Picket	15.8X15.8	6061 - T6	922	0.62	15	9.30
5	Mounting plate	PL 9.5 x 114.3	6061 - T6	127	0.37	2	0.74
6	Stiffener plate	PL 6.35 x 63.5	6061 - T6	76	0.10	2	0.20
7	Support leg	PL 3	6061 - T6	25.4	0.04	1	0.04
8	Post cap	-	6063 - T5	-	0.04	2	0.08
							17.25



TYPICAL TOP MOUNTED DETAIL ON TIMBER FLOOR



TYPICAL TOP MOUNTED DETAIL ON CONCRETE FLOOR

No	DATE	REVISIONS	DRAWN	CHECK
3	10 APR. 2023	REVISED AS CLOUDED	EY	EG
2	21 JAN. 2020	ADDING EDGE DISTANCE NOTE	EY	EG
1	29 JUL. 2019	STIFFENERS ARE REVISED	EY	EG
0	20 OCT. 2018	ISSUED FOR FABRICATION	EG	EG

Drawing prepared by:



554 Silverado., SW, Calgary, AB
 Phone: (403) 617-4801
 ehab.girgis@gplusengineering.com
 www.gplusengineering.com

Client :

Home-Rail Ltd.

Drawing Title :

**5/8" PICKET RAIL - 42" HIGH
 TOP MOUNTED**

Scale :	NTS	Drawing No.	H2-1	REV.	3
Project No. :	1813				